

AC90UF-2PB

ATLAS
KOMPAKT



OPERATING WEIGHT

9.2 TONS

ENGINE POWER

46.2 KW / 2200 RPM

BUCKET CAPACITY

0.26 M³

TECHNICAL DATA

ENGINE

Brand	YANMAR
Model	4TNV98C
Type	4-stroke water-cooled diesel engine
Displacement	3.319 l
Power	46.2 kW / 2200 rpm

ELECTRIC SYSTEM

Operating voltage	12 V
Battery	120 Ah
Alternator	12 V - 55 A
Starter	12 V - 3.0 kW

DRIVE

Max. travel speed (1st/2nd)	2.7/4.7 km/h
Gradeability	35°
Max. traction	68 kN

UNDERCARRIAGE

Undercarriage width	2270 mm
Shoe width	450 mm
Length to center of rollers	2250 mm
Track length	2900 mm
Track height	678 mm

DOZER BLADE

Independent movement, controlled by the gear lever	
Length x width	2250 x 415 mm
Max. lifting height	535 mm
Max. cutting depth	470 mm

DIMENSIONS

Counterweight clearance	785 mm
Tail swing radius	1430 mm
Shipping length	6540 mm
Shipping width	2260 mm
Shipping height	2720 mm

WORKING RANGES

Max. cutting height	8240 mm
Max. loading height	6135 mm
Max. digging depth	4735 mm
Max. vertical wall digging depth	4140 mm
Max. digging reach	8035 mm
Max. reach at ground level	7875 mm
Bucket digging force	63.5 kN
Stick digging force	38 kN
Ground pressure	36.5 kPa
Swing speed	11.2 rpm

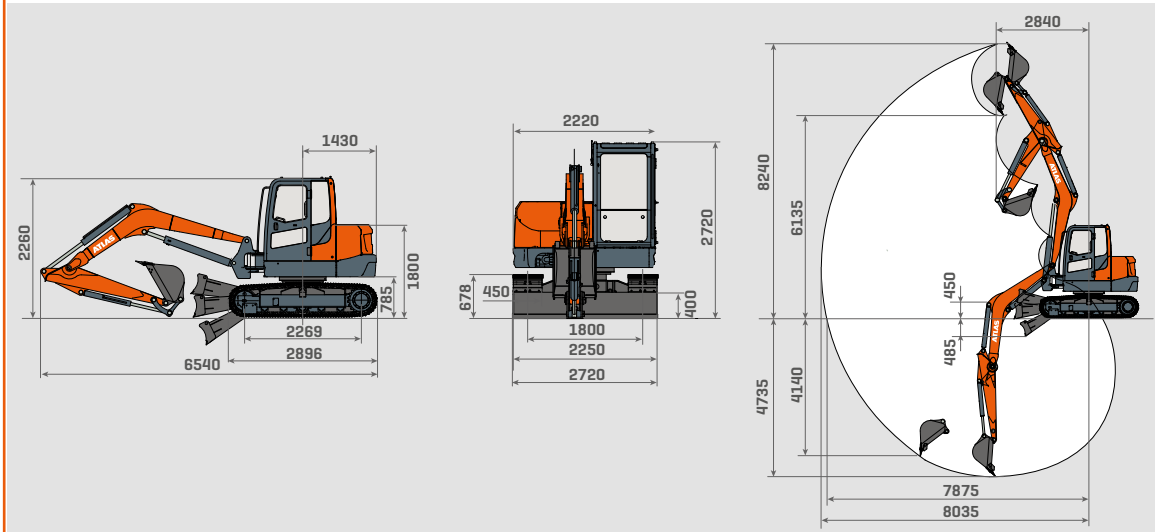
CAPACITY

Fuel tank	125 l
Hydraulic oil tank	80 l

HYDRAULIC SYSTEM

Main Pump	
Type	single-piston pump
Volume oil flow	160 l/min
Working pressure	28 MPa

WORKING RANGES



LOAD CAPACITY

A (m)	MIN		MAX		5.0 m		4.0 m		3.0 m	
	Front (kg)	Side (kg)	Front (kg)	Side (kg)	Front (kg)	Side (kg)	Front (kg)	Side (kg)	Front (kg)	Side (kg)
5.0	—	—	—	—	—	—	2219*	1492	—	—
4.0	—	—	—	—	—	—	2299*	1508	—	—
3.0	—	—	—	—	1740*	1102	1873*	1477	—	—
2.0	—	—	1789*	723	2002*	1037	2313*	1603	3631*	2242
1.0	4749*	2158	1895*	693	1953*	991	2326*	1435	3134	2013
0.0	—	—	1971*	700	2113*	945	2637*	1343	3737*	1829
-1.0	—	—	2064*	788	2068*	903	2734*	1313	3595*	1768



- 1) Load with * is limited by hydraulic capacity and based on ISO 10567. Rated loads do not exceed 87% of hydraulic capacity.
- 2) Load without * is limited by tipping load and based on ISO 10567. Rated loads do not exceed 75% of tipping load.



More information here



GANDERKESEE FACTORY

ATLAS GmbH
 Atlasstrasse 6
 27777 Ganderkesee, Germany
 T: +49 (0) 4222 954 0
 F: +49 (0) 4222 954 220
info@atlasgmbh.com
www.atlasgmbh.com

VECHTA FACTORY

ATLAS GmbH
 Theodor-Heuss-Str. 3
 49377 Vechta, Germany
 T: +49 (0) 4441 954 0
 F: +49 (0) 4441 954 299
info@atlasgmbh.com
www.atlasgmbh.com

DELMENHORST FACTORY

ATLAS GmbH / ATLAS Kompakt GmbH
 Stedinger Strasse 324
 27751 Delmenhorst, Germany
 T: +49 (0) 4221 49 10
 F: +49 (0) 4221 491443
info@atlasgmbh.com
www.atlasgmbh.com

ENGLAND LOCATION

ATLAS Cranes UK Ltd.
 National Sales & Service Facility
 Wharfedale Road,
 Euroway Trading Est.
 Bradford, England BD4 6SL
 United Kingdom
 T: +44 1274 900900
 F: +44 2746 53785
atlasuk@atlas-cranes.co.uk
www.atlas-cranes.co.uk