

# AC17F

**ATLAS**  
KOMPAKT



**OPERATING WEIGHT**

**1.78 TONS**

**ENGINE POWER**

**13.4 KW / 2200 RPM**

**BUCKET CAPACITY**

**0.035 M<sup>3</sup>**

# TECHNICAL DATA

## ENGINE

Brand	Yanmar
Model	3TNV80 - SSU
Type	3-cylinder water-cooled diesel engine
Displacement	1.267 l
Power	13.4 kW / 2200 rpm

## ELECTRIC SYSTEM

Operating voltage	12 V
Battery	60 Ah
Alternator	12 V - 40 A
Starter	12 V - 1.1 kW

## DRIVE

Max. travel speed (1st/2nd)	2.3 / 4.4 km/h
Gradeability	30°
Max. traction	16.7 kN

## UNDERCARRIAGE

Undercarriage width	990/1320 mm
Shoe width	230 mm
Length to center of rollers	1210 mm
Track length	1538 mm
Track height	352 mm

## DOZER BLADE

Independent movement, controlled by the gear lever	
Length x width	1360 x 267 mm
Max. lifting height	240 mm
Max. cutting depth	240 mm

## DIMENSIONS

Counterweight clearance	459 mm
Tail swing radius	1110 mm
Shipping length	4061 mm
Shipping width	990 mm
Shipping height	2361 mm

## WORKING RANGES

Max. cutting height	3553 mm
Max. loading height	2440 mm
Max. digging depth	2057 mm
Max. vertical wall digging depth	1753 mm
Max. digging reach	3883 mm
Max. reach at ground level	3762 mm
Bucket digging force	21 kN
Stick digging force	12 kN
Ground pressure	30 kPa
Swing speed	10 rpm

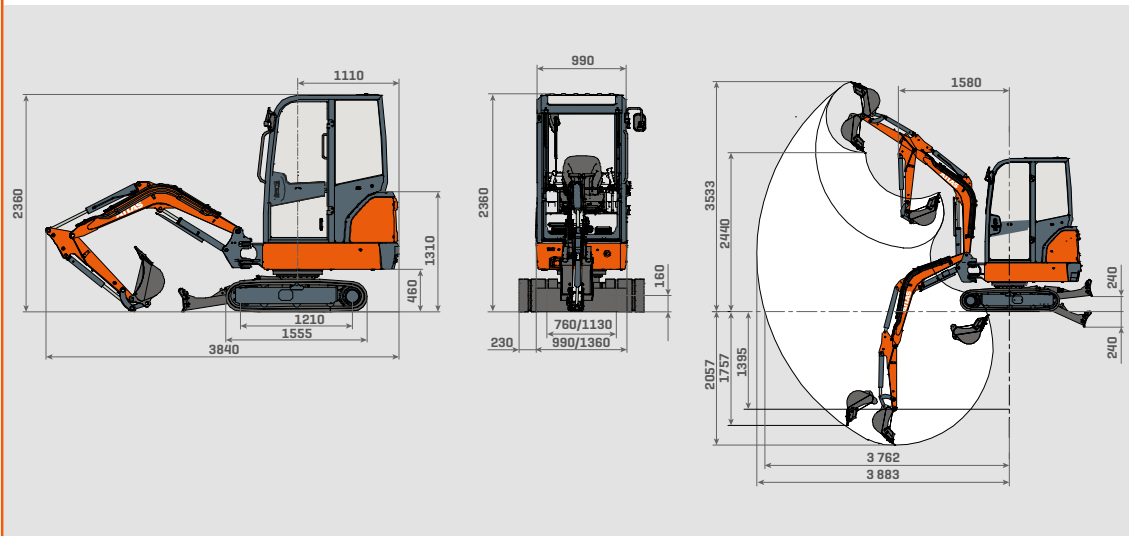
## CAPACITY

Fuel tank	21 l
Hydraulic oil tank	26 l

## HYDRAULIC SYSTEM

Main Pump	
Type	Piston pump
Volume oil flow	62 l/min
Working pressure	24.5 MPa

## WORKING RANGES



## LOAD CAPACITY

A (m)	MAX		3.0 m		2.5 m		2.0 m	
	Front (kg)	Side (kg)	Front (kg)	Side (kg)	Front (kg)	Side (kg)	Front (kg)	Side (kg)
2.5	381.6*	381.6*	—	—	186.4*	195.2*	—	—
2.0	390.5*	381.6*	390.5*	390.5*	363.8*	363.8*	—	—
1.0	408.2*	290.7	452.6*	351.9	541.3*	436.1	709.9*	573.8
0.0	488.1*	290.7	488.1*	—	594.6*	405.5	—	550.8
-1.0	496.9*	382.5	—	—	—	—	—	474.3



- 1) Load with \* is limited by hydraulic capacity and based on ISO 10567. Rated loads do not exceed 87% of hydraulic capacity.
- 2) Load without \* is limited by tipping load and based on ISO 10567. Rated loads do not exceed 75% of tipping load.



More information here



#### **GANDERKESEE FACTORY**

ATLAS GmbH  
Atlasstrasse 6  
27777 Ganderkesee, Germany  
T: +49 (0) 4222 954 0  
F: +49 (0) 4222 954 220  
info@atlasgmbh.com  
www.atlasgmbh.com

#### **VECHTA FACTORY**

ATLAS GmbH  
Theodor-Heuss-Str. 3  
49377 Vechta, Germany  
T: +49 (0) 4441 954 0  
F: +49 (0) 4441 954 299  
info@atlasgmbh.com  
www.atlasgmbh.com

#### **DELMENHORST FACTORY**

ATLAS GmbH / ATLAS Kompakt GmbH  
Stedinger Strasse 324  
27751 Delmenhorst, Germany  
T: +49 (0) 4221 49 10  
F: +49 (0) 4221 491443  
info@atlasgmbh.com  
www.atlasgmbh.com

#### **ENGLAND LOCATION**

ATLAS Cranes UK Ltd.  
National Sales & Service Facility  
Wharfedale Road,  
Euroway Trading Est.  
Bradford, England BD4 6SL  
United Kingdom  
T: +44 1274 900900  
F: +44 2746 53785  
atlasuk@atlas-cranes.co.uk  
www.atlas-cranes.co.uk